

MIXPAC™ ecopaCC™

COLLAPSIBLE, SUSTAINABLE AND HIGH-PERFORMING
2-COMPONENT PACKAGING



 medmix

INDUSTRY



FULL SYSTEM APPROACH

MUCH MORE THAN THE SUM OF ITS PARTS!

We offer the new ecopaCC cartridge with a wide range of dedicated dispensers and mixing tips. Consequently, for the different adhesive applications the best result in mixing quality and metering is guaranteed.

MIXPAC™ MIXING TIPS

Mixpac Quadro™ and Helix mixing tips are manufactured for exact metering and mixing of 2-component materials and are available in various designs and lengths to meet the requirements of specific applications. Minimal pressure loss and precise metering at high dispensing rates are just a few benefits.

COX™ DISPENSERS

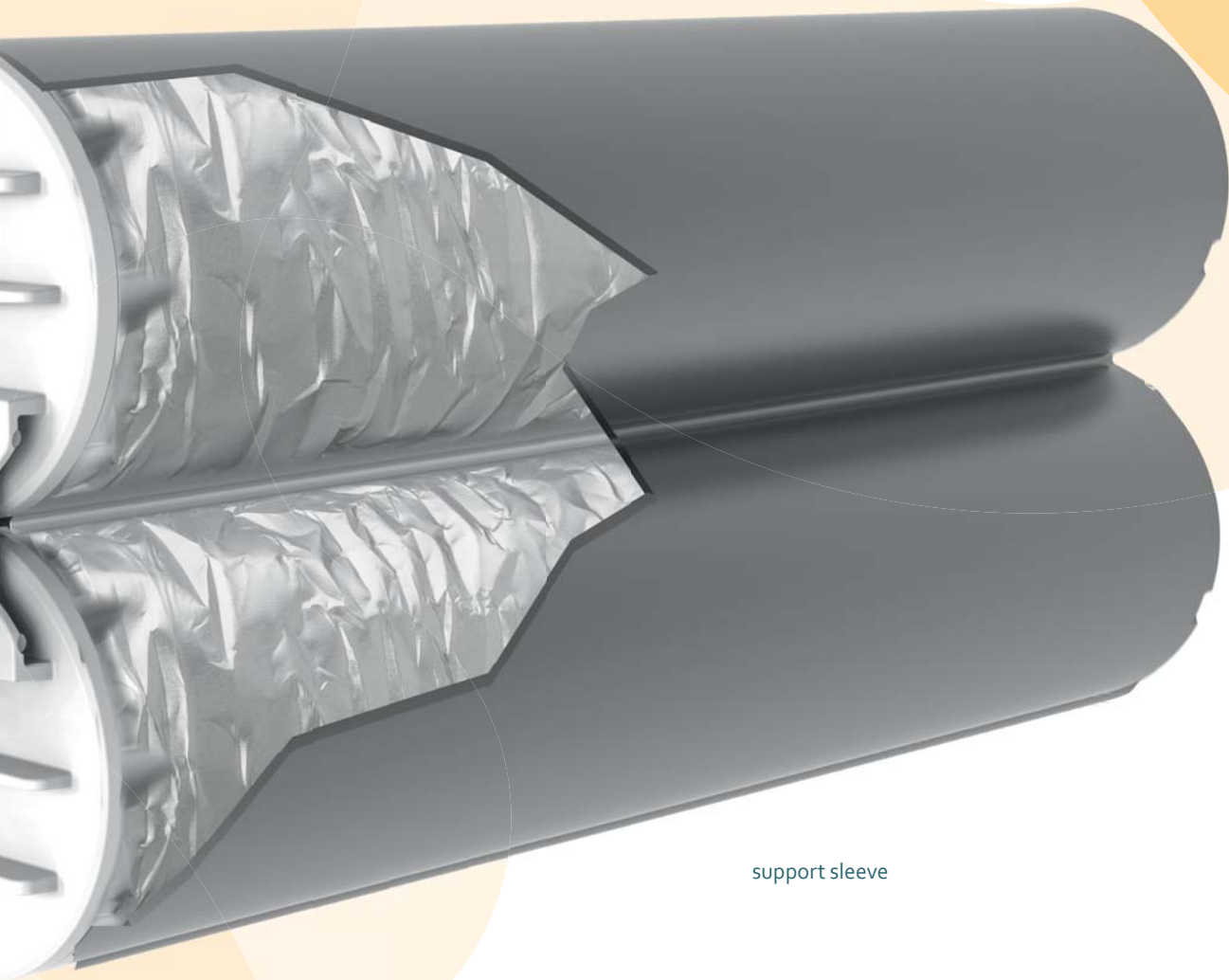
The extensive range of 2-component COX dispensers includes high performance manual, battery and pneumatic dispensers, compatible with the Mixpac ecopaCC cartridges.

MK™ DISPENSERS

Well known for quality, reliability and performance, the MK 2-component range of dispensers originally supplied by Krøger A/S now forms part of our product portfolio.



WE BELIEVE IN SUSTAINABLE PACKAGING



support sleeve

ENVIRONMENTAL AWARENESS

"There will be more plastic than fish in the oceans by 2050"

Source: World Economic Forum 2016

Every year 4.8 to 12.7 t plastic waste end up in the sea – the counter now is at 86 mio t (Sources: wwf.org.uk 2018, Science 02/2015). This has led to massive international reactions for legal regulations and fines on plastic waste all over the world.

We take our environmental responsibility serious and strive to contribute to green initiatives. With our ecopaCC (Collapsible Cartridge) the remaining packaging waste is reduced up to 82%! Focussing on the whole value chain we were also able to reduce the CO₂ emissions per item due to the precollapsed packaging which saves space in transportation.

MIXPAC™ ecopaCC™

REVOLUTIONARY 2-COMPONENT PACKAGING SOLUTION

KEY BENEFITS AT A GLANCE:



UP TO 82% LESS WASTE*

Immense Reduction in plastic packaging waste (82% on 1500 mL, 75% on 600 mL)



UP TO 85% REDUCED WAREHOUSE STORAGE*

Less storage space needed



UP TO 85% REDUCED TRANSPORTATION VOLUME*

Less trucks on the road



REMARKABLE COST SAVINGS THROUGHOUT THE VALUE CHAIN*

On transportation, storage and disposal due to reduced weight and volume of the collapsed cartridge



COMPATIBLE

With all our matching dispensers



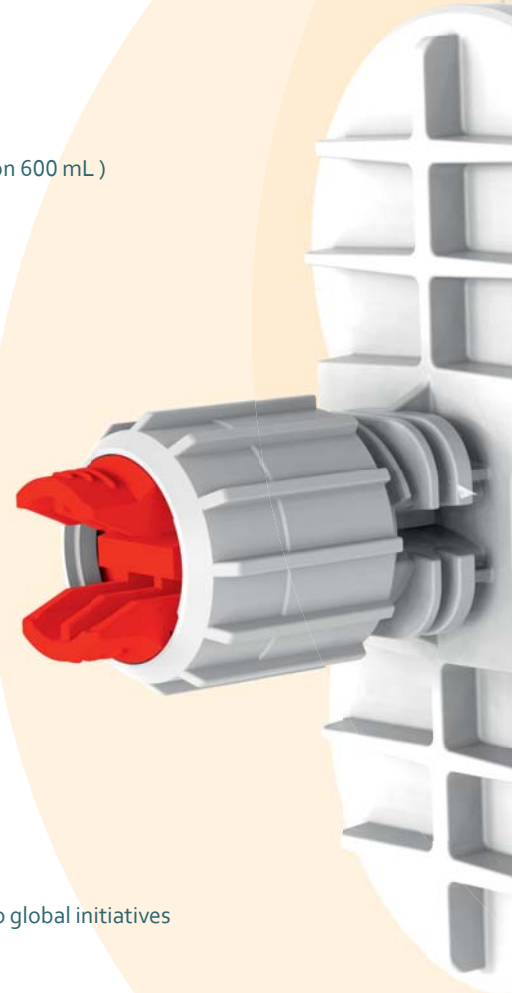
ENHANCED PERFORMANCE

Improved barrier properties and shelf life



ENVIRONMENTAL FRIENDLY

Sustainable downsizing improves ecological footprint and contributes to global initiatives



APPLICATIONS

With this new collapsible packaging concept for maximum results, the Mixpac ecopaCC is ideal for a wide range of applications:



Chemical
Anchoring



Structural Bonding



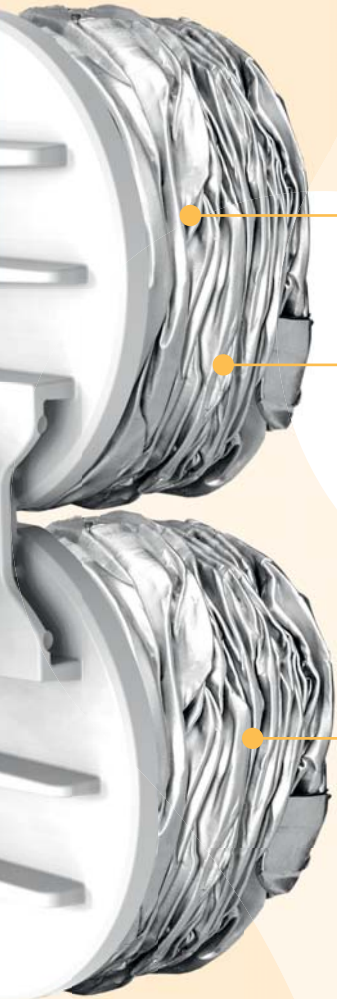
Sealing



Crack Repair

* versus comparable rigid cartridges available on the market

IN DETAIL



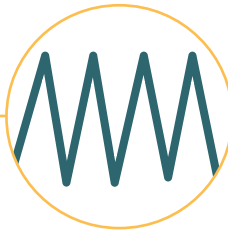
100% LEAK PROOF

due to new proprietary overmolding technology and no more pistons



HIGH TECH MULTILAYER FILM

up to 7 high-tech films with multiple functional layers and dedicated properties guarantee for enhanced barrier properties and improved shelf life



PRE-COLLAPSED CARTRIDGE

saves costs due to remarkable reduction of storage and transportation space needed



REUSABLE SUPPORT SLEEVE

used with the ecopaCC for dispensing, it is made of resistant materials like aluminum and can be customized to your needs

PRODUCT SPECIFICATION

Volume: 600 mL | **Ratio:** 1:1

Volume: 600 mL | **Ratio:** 3:1

Volume: 1500 mL | **Ratio:** 1:1

Every variation can be ordered in laminated or co-extruded foil, and in pre-collapsed or non-collapsed format.
Every variation has a matching support sleeve.

DELIVERING INNOVATION. INSPIRING CONFIDENCE.

EUROPE

medmix Switzerland AG

Ruetistrasse 7
9469 Haag, Switzerland
Phone +41 81 414 70 00
sales.industry@medmix.com
www.medmix.swiss

**USA, SOUTH AMERICA,
CANADA AND MEXICO**

medmix USA Inc.

8 Willow St.
Salem, NH 03079, USA
Phone +1 603 893 2727
sales.industry@medmix.com
www.medmix.swiss

UK AND IRELAND

medmix UK Ltd.

1 Tealgate, Charnham Park, Hungerford
Berkshire, RG17 0YT, United Kingdom
Phone: +44 (0)1488 647 800
sales.industry@medmix.com
www.coxdispensers.com

ASIA PACIFIC

medmix China Ltd.

68 Bei Dou Lu, Minhang Shanghai
200245, China
Phone: +86 21 6430 68 68
sales.industry@medmix.com
www.medmix.swiss



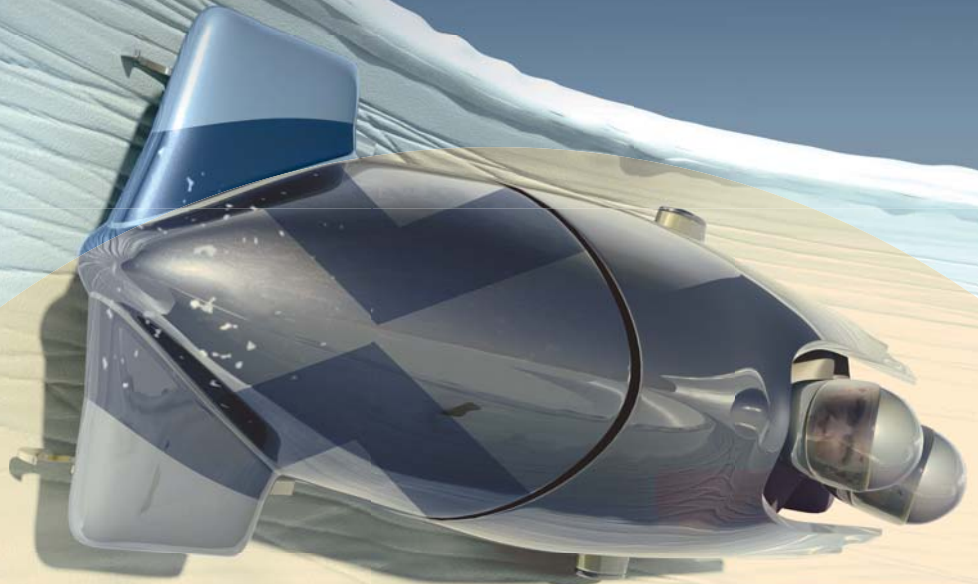
Legal Notice: This brochure is a general presentation. The information contained in this publication is believed to be accurate and reliable but is not to be construed as implying any warranty or guarantee of performance. We waive any liability and indemnity for effects resulting from its application. Please, contact us for a description of the warranties and guarantees offered with our products. Directions for use and safety will be given separately. All information herein is subject to change without notice.

© 2022 medmix Switzerland AG All rights reserved.

medmix is a trademark belonging to medmix AG, MIXPAC and eccopaCC are trademarks belonging to medmix Switzerland AG.

MIXPAC™ Mixpeel™

THE 2IN1 PACKAGING SYSTEM FOR EASY FRONT FILLING AND ENHANCED PERFORMANCE



 medmix

INDUSTRY





ALL-IN-ONE SYSTEM APPROACH

The Mixpeel cartridge system is available with a wide range of dedicated mixers and dispensers serving varied adhesive applications in order to ensure superior quality alongside an optimal mixing and metering performance.



MIXPAC™ MIXERS

Mixpac Quadro™ and Helix mixers are designed for precise metering and mixing of 2-component construction materials. They are available in various diameters and lengths to meet the requirements of specific applications. Minimal pressure loss and precise metering at high dispensing rates are just a few benefits to be mentioned.

As a full system provider, we have an extensive range of market-leading dispensers to meet customers' needs.



COX™ DISPENSERS

are manufactured and assembled at medmix UK Ltd., as well as in the US. The extensive range of 1-component COX dispensers includes high performance manual and battery dispensers being compatible with the Mixpac Mixpeel cartridge system.



MK™ DISPENSERS

are well known for quality, reliability and high performance. The MK 1-component dispenser range was originally manufactured and supplied by the Danish company called Krøger A/S. Meanwhile, it represents an integral part of our product portfolio.

MIXPAC™ Mixpeel™ Cartridge

YOU WANT TO USE A 2-COMPONENT CARTRIDGE WITH A 1-COMPONENT DISPENSER? AN EASY TO FILL AND EASY TO USE CARTRIDGE? AND WHAT IF THAT CARTRIDGE IS ALSO ENVIRONMENTALLY FRIENDLY AND ON TOP EVEN ALLOWS YOU TO SAVE MONEY?



Mixpeel IS THE ANSWER!

We are proud to introduce the next generation of 2 in 1 packaging for adhesive applications.

2 IN 1 CONCEPT

The Mixpeel 2 in 1 concept combines two materials in an inner and outer tube. In other words a 2-component product packed in a 1-component packaging shape allowing you to use 1-component dispensers. Moreover, it provides the ability of easy front fill or conventional back filling.

FORM FOLLOWS FUNCTION

Mixpac designers and engineers have worked together to meet actual market requirements and customer needs. When it comes to filling the new side-by-side outlet geometry allows for easier and faster front filling while at the same time retaining the option of back filling.

APPLICATIONS

With a new and improved design for maximum results, the new MIXPAC™ Mixpeel™ is ideal for a wide range of applications in the adhesives industry:



Chemical Anchoring



Structural Bonding



Sealing



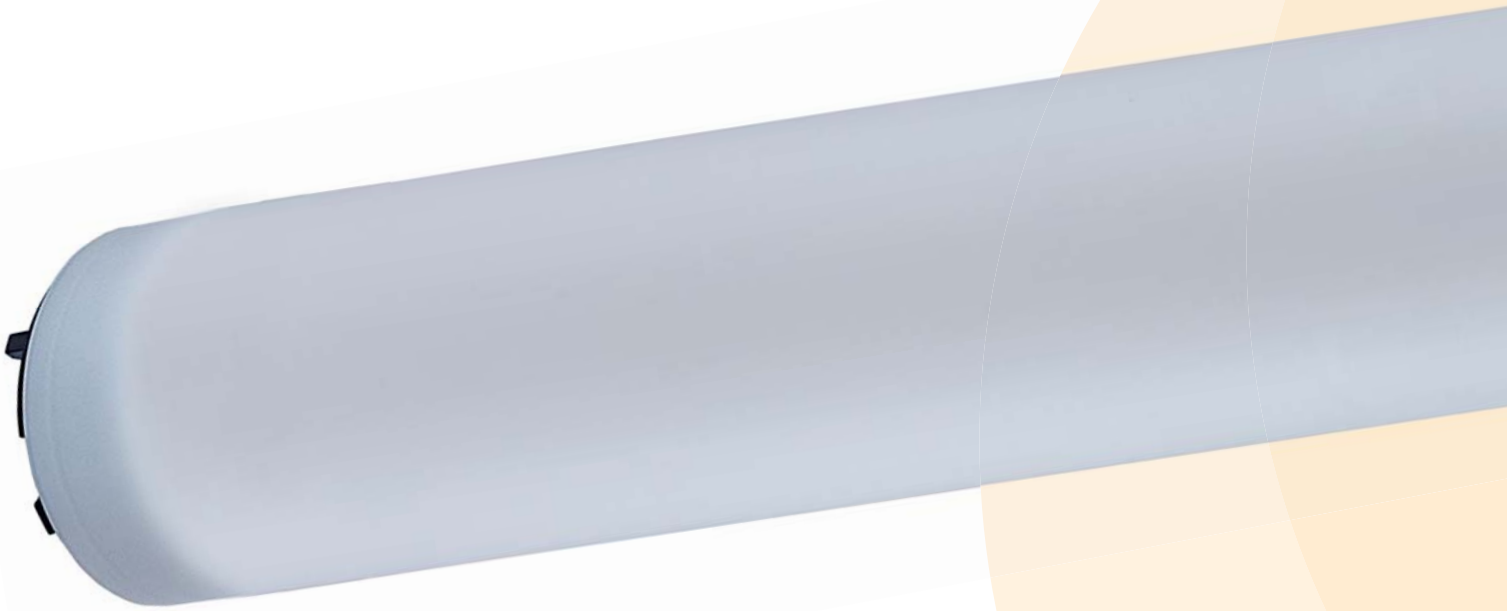
Crack Repair



Solid Surface

MIXPAC™ Mixpeel™

THE 2 IN 1 PACKAGING SYSTEM FOR EASY FRONT FILLING AND ENHANCED PERFORMANCE



CUSTOMER BENEFITS AT A GLANCE:

EASY TO FILL

With larger outlets realized through side-by-side geometry and new decentralized positioning, Mixpeel has been designed for easy and faster front filling.

EASY TO APPLY

With up to 35% less dispensing force (compared to similar cartridges with high viscous materials). Mixpeel is your perfect dispensing system especially for the usage of manual dispensers.

COMPATIBLE

The advantage of Mixpeel is clearly its compatibility – no need for additional dispenser or separate plungers as it can be easily used with 1-component dispenser from the existing product range.

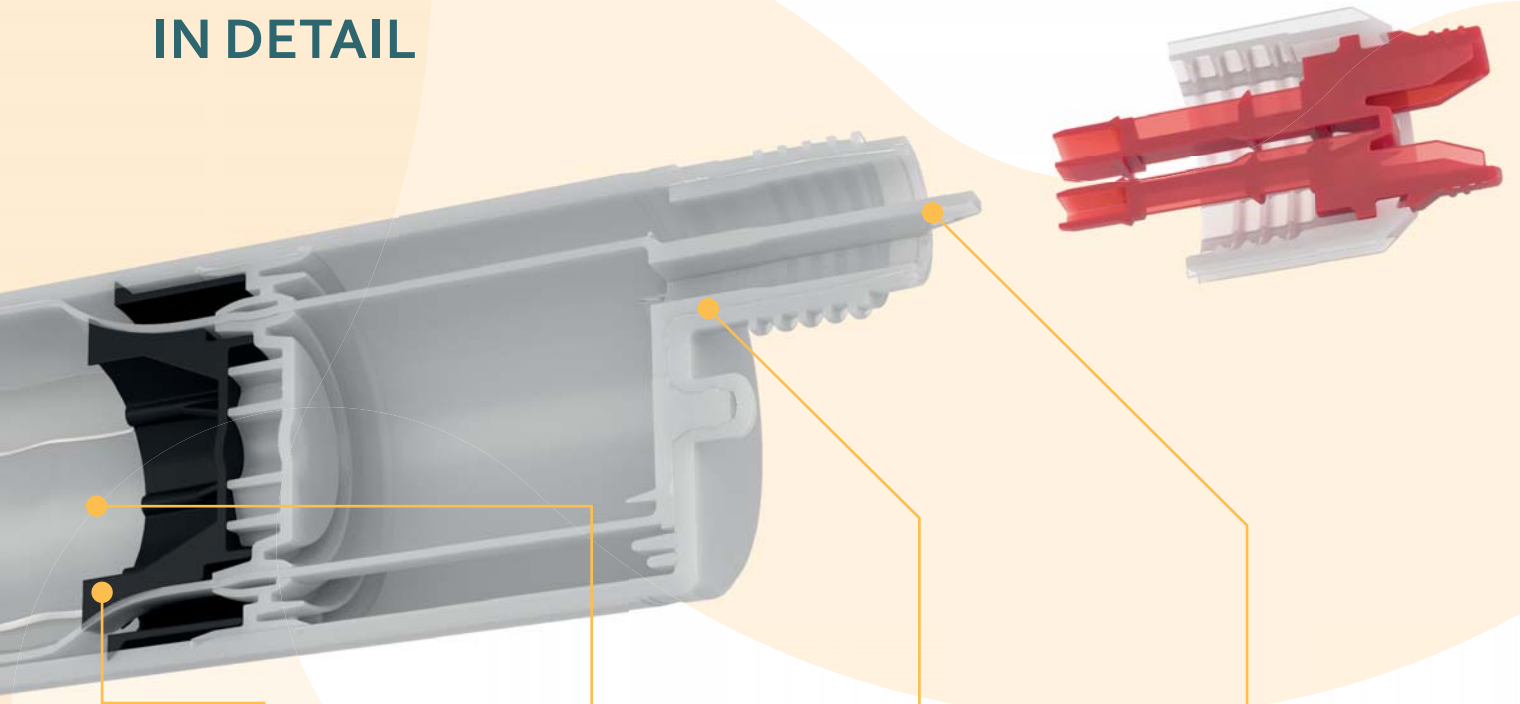
ECONOMICAL

Due to a 12% higher filling volume combined with 60% less material waste versus other comparable cartridges on the market results in associated costs being reduced.

ECOLOGICAL

Through simple and smart design the cartridge packaging waste could be reduced by 15% versus other comparable cartridges available on the market. This results into reduced disposal costs.

IN DETAIL



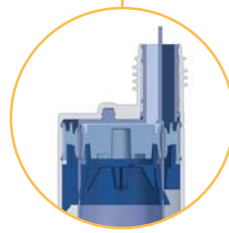
CUTTING TECHNOLOGY

The established and advanced design of the cutter unit is further optimized. With now 4 cutting blades it even more accurately peels the inner tube onto the outer tube – which further contributes to improve the performance of the entire system.



ADDITIONAL FILL VOLUME, LESS WASTE

Due to the simple and smart design, new Mixpeel has a higher fill volume of 280 mL (+30 mL) vs comparable cartridges in the market. Furthermore, with a material waste volume less than 5 mL the packaging provides economical benefits to fillers and end-users.



OPTIMIZED OUTLET GEOMETRY

The new design significantly eases front filling, reduces resistance and thus improves efficiency. Moreover, it enhances material dispensing performance for users compared to existing cartridges on the market.



LARGER OUTLETS

The new easy to fill side-by-side outlets have cross sections designed to enhance material flow, ease the filling process and hence reduce processing time from various angles.



PRODUCT SPECIFICATION

Volume: 280 mL | **Ratio:** 1:1

Dimensions: 244.5 mm x 49.9 mm

System is available in two options: front filling and back filling.

DELIVERING INNOVATION. INSPIRING CONFIDENCE.

EUROPE

medmix Switzerland AG

Ruetistrasse 7

9469 Haag, Switzerland

Phone +41 81 414 70 00

sales.industry@medmix.com

www.medmix.swiss

**USA, SOUTH AMERICA,
CANADA AND MEXICO**

medmix USA Inc.

8 Willow St.

Salem, NH 03079, USA

Phone +1 603 893 2727

sales.industry@medmix.com

www.medmix.swiss

UK AND IRELAND

medmix UK Ltd.

1 Tealgate, Charnham Park, Hungerford

Berkshire, RG17 0YT, United Kingdom

Phone: +44 (0)1488 647 800

sales.industry@medmix.com

www.coxdispensers.com

ASIA PACIFIC

medmix China Ltd.

68 Bei Dou Lu, Minhang Shanghai

200245, China

Phone: +86 21 6430 68 68

sales.industry@medmix.com

www.medmix.swiss



Legal Notice: This brochure is a general presentation. The information contained in this publication is believed to be accurate and reliable but is not to be construed as implying any warranty or guarantee of performance. We waive any liability and indemnity for effects resulting from its application. Please, contact us for a description of the warranties and guarantees offered with our products. Directions for use and safety will be given separately. All information herein is subject to change without notice.

© 2022 medmix Switzerland AG All rights reserved.

medmix is a trademark belonging to medmix AG, MIXPAC and Mixpeel are trademarks belonging to medmix Switzerland AG.