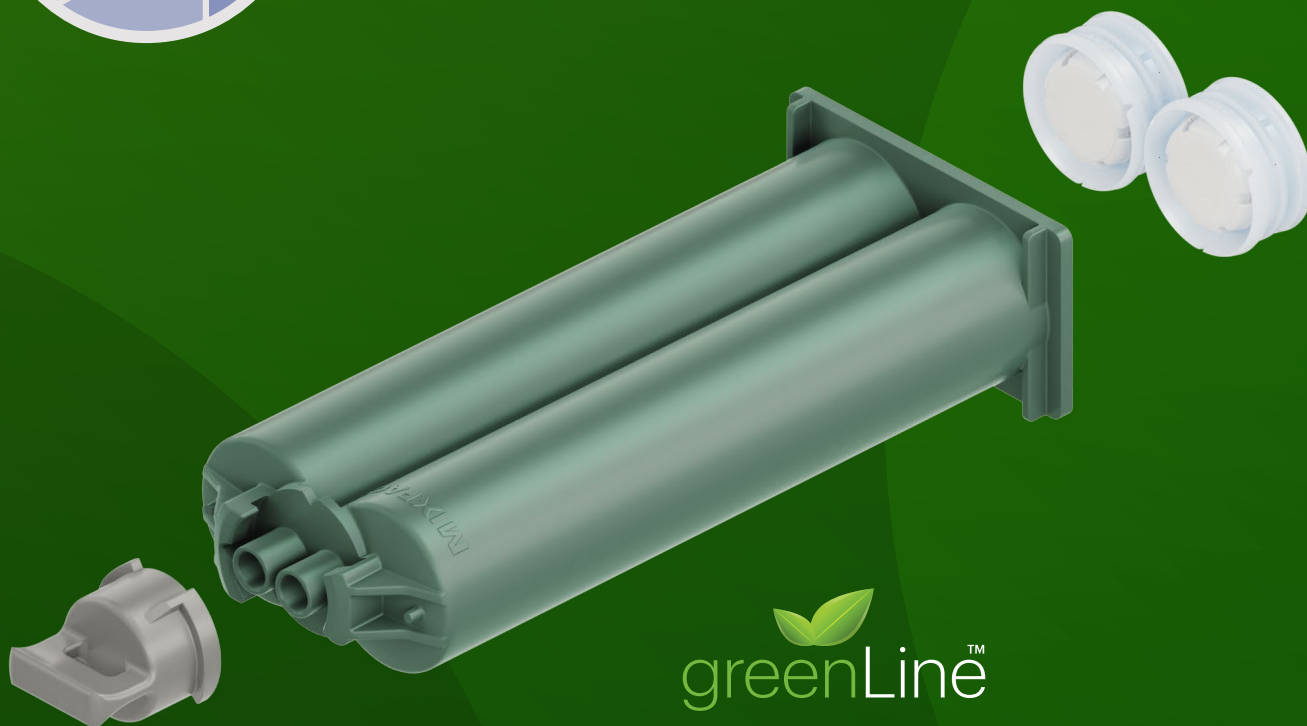


MIXPAC™ GREENLINE™ B-SYSTEM SET 50ML

REDUCED IMPACT BUT UNCOMPROMISING PERFORMANCE
WITH OUR FIRST 100% PCR PP CARTRIDGE



greenLine™

 medmix

INDUSTRY 

MIXPAC™ GREENLINE 50 ML B-SYSTEM SET

REDUCE YOUR IMPACT WITHOUT COMPROMISING PERFORMANCE

At medmix, we think about mixing and dispensing solutions that fully meet the highest requirements of both your customers and your environmentally conscious company. As a result, we developed the **MIXPAC greenLine 50mL B-System Set**: The 100% post-consumer recycled (PCR) polypropylene cartridge is a process-safe, precise system designed to support you in meeting your sustainable business goals.

OUR CONTRIBUTION TO YOUR SUSTAINABILITY

by 36%
less CO₂

Post-consumer recycled (PCR) polypropylene cartridge reduces carbon footprint in comparison to standard cartridge

RECYCLED PACKAGING

1'250 pcs in recycled bags and a recycled cardboard box

LESS WASTE

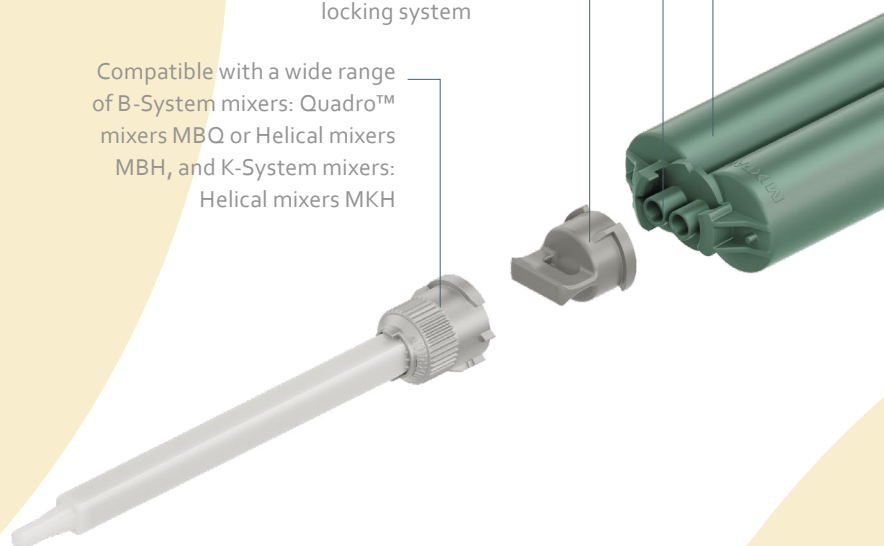
Optimal mixer for every application ensures high mixing quality with less material waste

100% recycled PCR PP side-by-side cartridge, 50 mL, with AirFT pistons (Original color. Due to recycling procedures and material behaviour potential color deviations are possible.)

Proprietary interface with separate outlets

Closure cap with proprietary locking system

Compatible with a wide range of B-System mixers: Quadro™ mixers MBQ or Helical mixers MBH, and K-System mixers: Helical mixers MKH



GOOD FOR THE ENVIRONMENT: YOUR CARTRIDGE BECOMES GREEN

RECYCLED CARTRIDGE SUSTAINABLY IMPROVES YOUR VALUE CHAIN

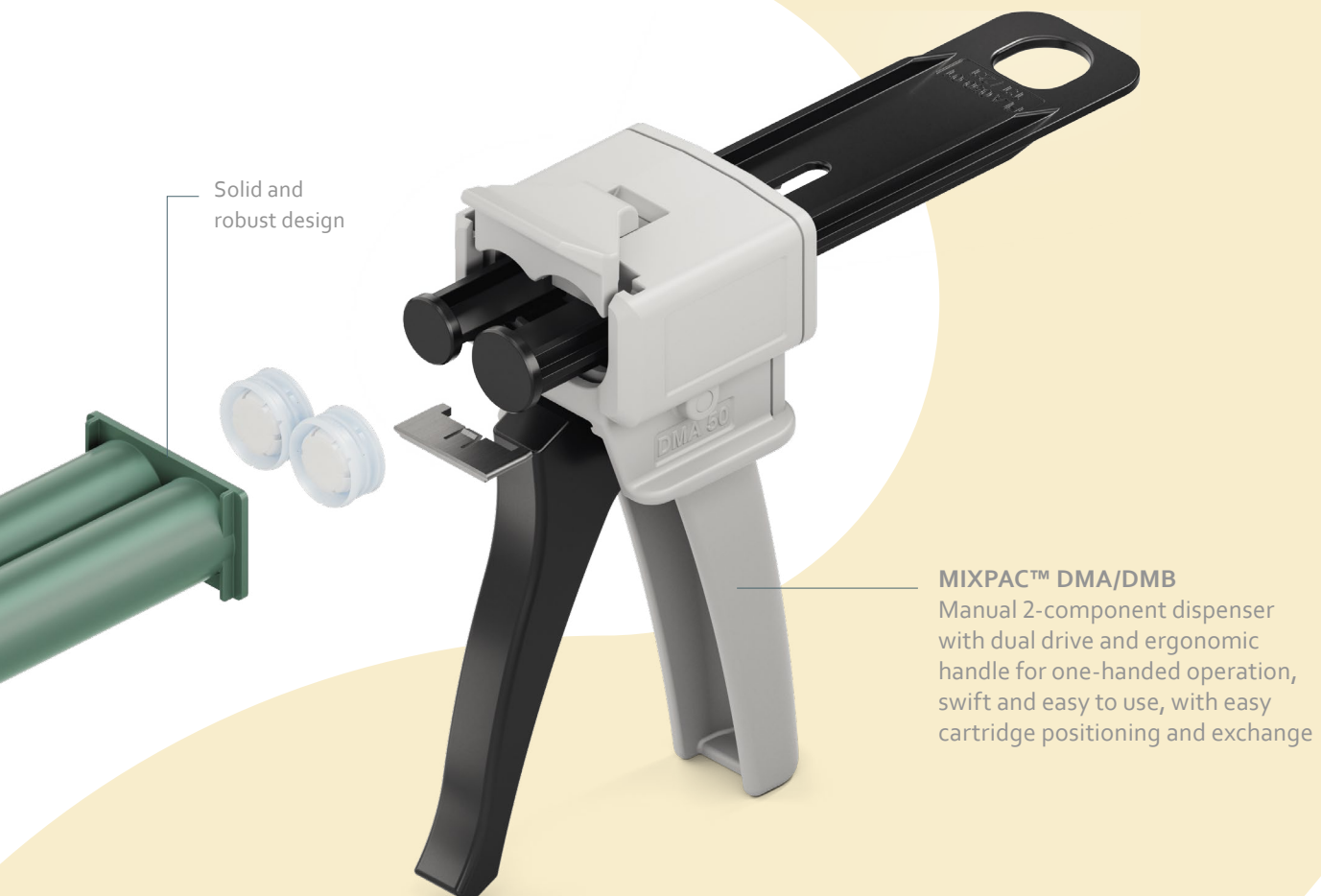
The 100% post-consumer recycled (PCR) polypropylene cartridge adds value to your business with its sustainable key advantages:

- ✓ No cross-contamination due to proprietary interface and locking system
- ✓ Environmentally friendly thanks to maximum yield and minimum dead volume
- ✓ High leakproofness and long-term stability
- ✓ Mixing performance quality of a standard cartridge
- ✓ Safe, quick and easy assembly of the mixer
- ✓ Minimal waste volume

B-SYSTEM QUALITY PERFECTLY COMBINED WITH SUSTAINABILITY

With the greenLine 50 mL B-System, you can rely on the many benefits of a well proven high-end mixing and dispensing solution:

- ✓ Modular concept with a complete solution from a single source
- ✓ For a controlled, reproducible adhesive process
- ✓ Increased process safety and control
- ✓ Enables a precise metering, easy-to-use, and fatigue-free operation
- ✓ High standards regarding storage stability and transport safety
- ✓ Coded interface and separate outlets



Ideal for a wide range of industrial adhesive and sealant applications with epoxies and Polyurethane systems.

DELIVERING INNOVATION. INSPIRING CONFIDENCE.

EUROPE

medmix Switzerland AG

Ruetistrasse 7

9469 Haag, Switzerland

Phone +41 81 772 20 00

Fax +41 81 772 20 01

sales.industry@medmix.com

www.medmix.swiss

**USA, SOUTH AMERICA,
CANADA AND MEXICO**

medmix USA Inc.

8 Willow St.

Salem, NH 03079, USA

Phone +1 603 893 2727

sales.industry@medmix.com

www.medmix.swiss

UK AND IRELAND

medmix UK Ltd.

1 Tealgate, Charnham Park, Hungerford

Berkshire, RG17 0YT, United Kingdom

Phone: +44 (0)1488 647 800

sales.industry@medmix.com

www.coxdispensers.com

ASIA PACIFIC

medmix China Ltd.

68 Bei Dou Lu, Minhang Shanghai

200245, China

Phone: +86 21 6430 68 68

sales.industry@medmix.com

www.medmix.swiss



Legal Notice: This brochure is a general presentation. The information contained in this publication is believed to be accurate and reliable but is not to be construed as implying any warranty or guarantee of performance. We waive any liability and indemnity for effects resulting from its application. Please, contact us for a description of the warranties and guarantees offered with our products. Directions for use and safety will be given separately. All information herein is subject to change without notice.

© 2022 medmix All rights reserved.

MIXPAC, QUADRO, Greenline are trademarks owned by Sulzer Mixpac. Medmix is a trademark of medmix AG

MIXPAC™ GREENLINE™ 50 ML 2:1 B-SYSTEM SET

REDUCED IMPACT BUT UNCOMPROMISING PERFORMANCE
WITH OUR UP TO 87% PCR PP CARTRIDGE SET



greenLine™

 medmix

INDUSTRY 

MIXPAC™ GREENLINE 50 ML 2:1 B-SYSTEM SET

REDUCE YOUR IMPACT WITHOUT COMPROMISING PERFORMANCE

At medmix, we think about mixing and dispensing solutions that fully meet the highest requirements of both your customers and your environmentally conscious company. As a result, we developed the **MIXPAC greenLine 50mL 2:1 B-System Set**: Up to 87% post-consumer recycled (PCR) polypropylene cartridge set is a process-safe, precise system designed to support you in meeting your sustainable business goals.

GREENLINE SET SYSTEM APPROACH

OUR CONTRIBUTION TO YOUR SUSTAINABILITY

**30% CO₂
reduction****

Perform more eco-friendly with MIXPAC
PCR PP cartridge set reduces carbon footprint in comparison to standard propylene cartridge set

RECYCLED PACKAGING

1'250 pcs in recycled bags and a recycled cardboard box

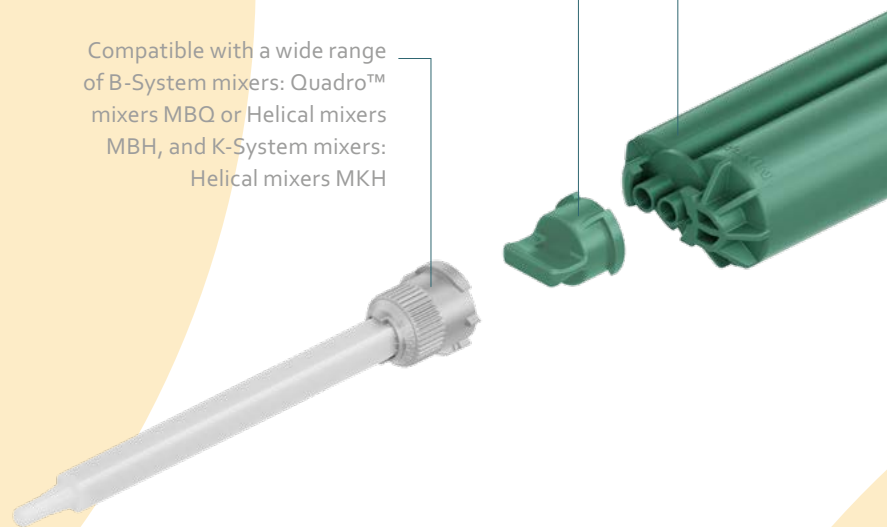
LESS WASTE

Optimal mixer for every application ensures high mixing quality with reduced material waste

PCR PP side-by-side cartridge,
50 mL, with AirFT pistons*

Closure cap with proprietary
locking system

Compatible with a wide range
of B-System mixers: Quadro™
mixers MBQ or Helical mixers
MBH, and K-System mixers:
Helical mixers MKH



* Color deviations possible due to varying PCR content between 96% and 100%. For details please see the technical documentation.

** medmix has decided to calculate the carbon footprint of some of its products and share this information with its business customers. You may use this information for calculating the carbon footprint of those of your products which have been manufactured using medmix products. Any further sharing of medmix' carbon footprint data is not permitted, unless explicitly approved by medmix in writing. This data is provided without any guarantee and any and all liability in connection with the use of this data is herewith explicitly excluded.

SUSTAINABLE BENEFITS AND HIGH PERFORMANCE FEATURES

IMPROVE YOUR SUSTAINABILITY AT THE HIGH MIXPAC QUALITY

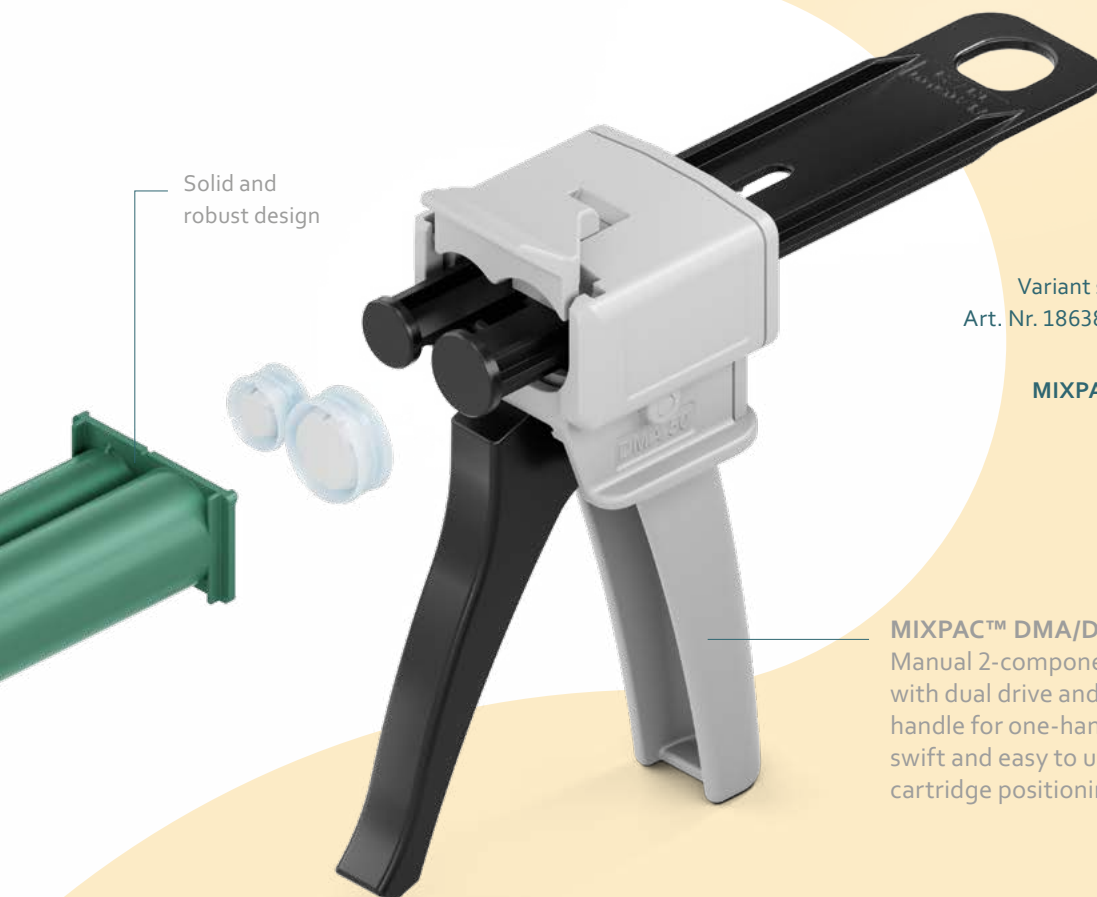
The up to 87% post-consumer recycled (PCR) polypropylene cartridge set adds value to your business with its sustainable key advantages:

- ✓ No cross-contamination due to proprietary interface and locking system
- ✓ Environmentally friendly thanks to maximized yield and minimized waste volume
- ✓ High leakproofness and long-term stability
- ✓ Mixing performance quality of a standard cartridge
- ✓ Safe, quick and easy assembly of the mixer
- ✓ Reduced waste volume

PERFORM WITH PROVEN B-SYSTEM QUALITY

With the greenLine 50 mL B-System, you can rely on the many benefits of a well proven high-end mixing and dispensing solution:

- ✓ System approach with optimal mixing tips and dispenser for every application
- ✓ For a controlled, reproducible adhesive process
- ✓ Increased process safety and control
- ✓ Enables a precise metering, easy-to-use, and fatigue-free operation
- ✓ High standards regarding storage stability and transport safety
- ✓ Coded interface and separate outlets



Solid and robust design

Variant shown in brochure is
Art. Nr. 186380 / AB 050-02-13-33

Learn more about
MIXPAC greenLine family



MIXPAC™ DMA/DMB

Manual 2-component dispenser with dual drive and ergonomic handle for one-handed operation, swift and easy to use, with easy cartridge positioning and exchange

Ideal for a wide range of industrial adhesive and sealant applications with epoxies and Polyurethane systems.

DELIVERING INNOVATION. INSPIRING CONFIDENCE.

EUROPE

medmix Switzerland AG

Ruetistrasse 7

9469 Haag, Switzerland

Phone +41 81 772 20 00

Fax +41 81 772 20 01

sales.industry@medmix.com

www.medmix.swiss

SPAIN

MEDMIX SPAIN, S.L.

Av. Puerto de Alicante, 5-2

46394 Riba-roja de Túria,

Valencia, Spain

Phone +34 96 276 31 99

sales.spain@medmix.com

www.medmix.swiss

ASIA PACIFIC

medmix China Ltd.

68 Bei Dou Lu, Minhang Shanghai

200245, China

Phone: +86 21 6430 68 68

sales.industry@medmix.com

www.medmix.swiss

**USA, SOUTH AMERICA,
CANADA AND MEXICO**

medmix US Inc.

8 Willow St.

Salem, NH 03079, USA

Phone +1 603 893 2727

sales.industry@medmix.com

www.medmix.swiss

UK AND IRELAND

medmix (UK) Ltd.

1 Tealgate, Charnham Park, Hungerford

Berkshire, RG17 0YT, United Kingdom

Phone: +44 (0)1488 647 800

sales.industry@medmix.com

www.coxdispensers.com



Legal Notice: This brochure is a general presentation. The information contained in this publication is believed to be accurate and reliable but is not to be construed as implying any warranty or guarantee of performance. We waive any liability and indemnity for effects resulting from its application. Please, contact us for a description of the warranties and guarantees offered with our products. Directions for use and safety will be given separately. All information herein is subject to change without notice.

© 2023 medmix All rights reserved.

MIXPAC, QUADRO, Greenline are trademarks owned by Sulzer Mixpac. Medmix is a trademark of medmix AG



11.2023